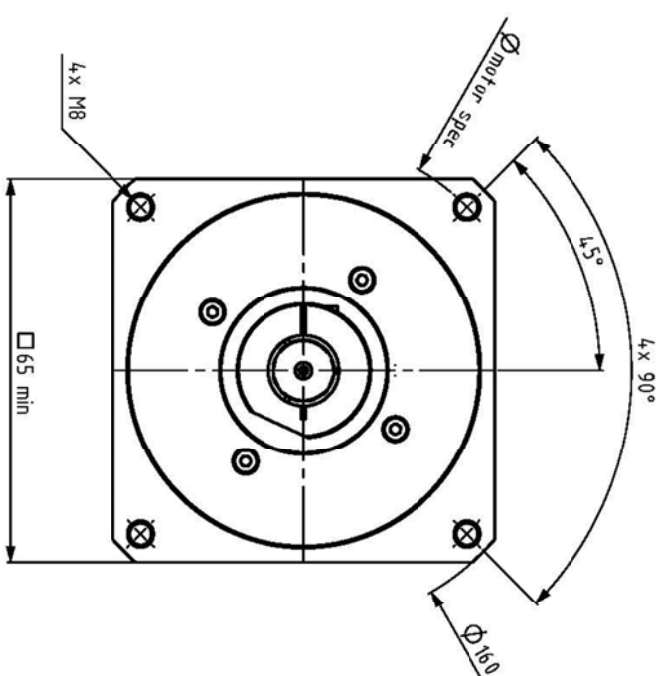
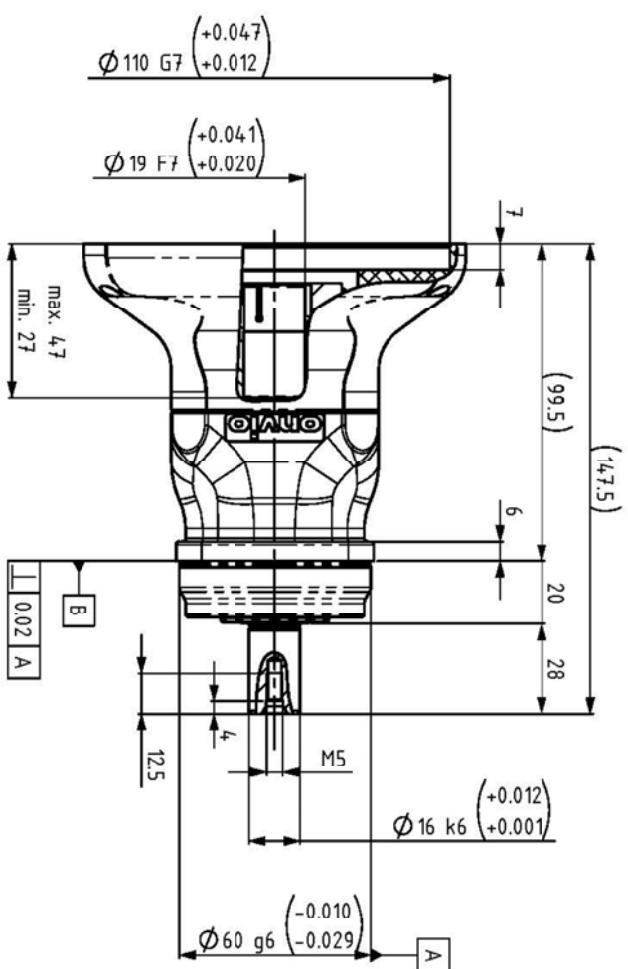
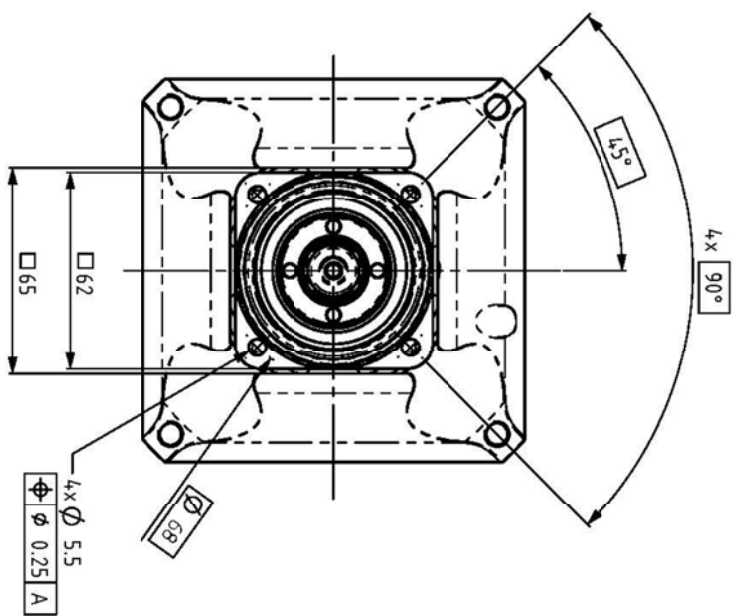


AH-010 Ratings

Ratio	Single Stage					Dual Stage										
	3	4	5	7	10	16	20	25	28	35	40	50	70	100		
Rated Output Torque	Nm	30	37	37	33	26	38	38	38	38	38	38	38	38	30	
Max. Acceleration Torque	Nm	45	56	56	50	39	57	57	57	57	57	57	57	57	45	
Torsional Stiffness	Nm/Arc-min	3.5					3.5									
Backlash	Arc-min	Standard < 5 to Reduced < 3					Standard < 6 to Reduced < 4									
Rated Input Speed	RPM	3300	3500	4000	4200	4500	4500	4500	4500	4500	4500	5000	5000	5500	5500	
Maximum Input Speed	RPM	6000														
Maximum Radial Load	N	2800														
Maximum Axial Load	N	2500														
Efficiency	%	> 97					> 94									
Input Inertia	kg-cm ²	0.65	0.52	0.46	0.41	0.39	0.22	0.18	0.18	0.15	0.15	0.13	0.13	0.13	0.13	
Weight	Kg	2.1					2.4									
Noise Level dB(A) Measured 1 meter from output @3,000 RPM		< 62														
Service Life	Hrs	20,000														
Lubrication		Grease														
Orientation		Any														



AH-010 Single Stage Dimensions



AH-010 Dual Stage Dimensions

Please contact Onvio for Dual Stage Dimensions